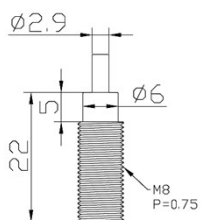


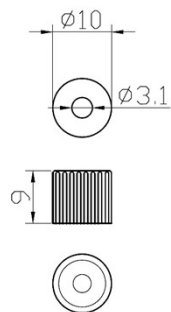
Product Drawing

ULG-1208G (φ1.5)、ULG-1208 (φ1.2)

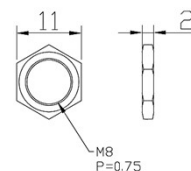
grip	decorative nuts	tube nut
------	-----------------	----------



B ≤ BM
trivalent chromate



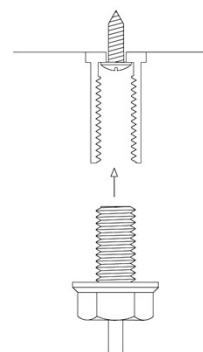
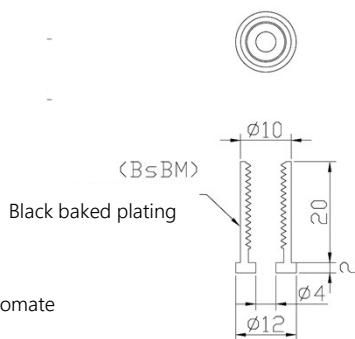
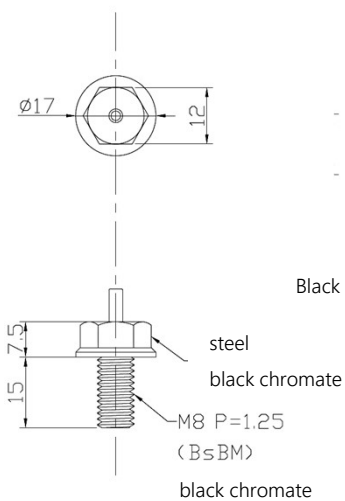
B ≤ BM
chrome plating



steel
trivalent chromate

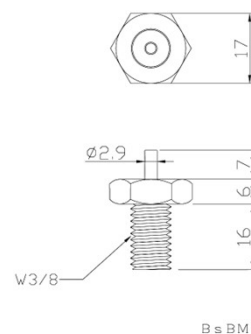
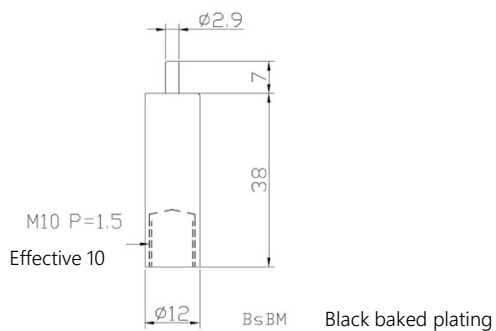
ULG-1508 (φ1.5)、ULG-1508S (φ1.2)、ULG-1570 (φ1.5)、ULG-1570S (φ1.2)

grip	outer case for φ4 screws (ULG-1570、1570S)
------	---



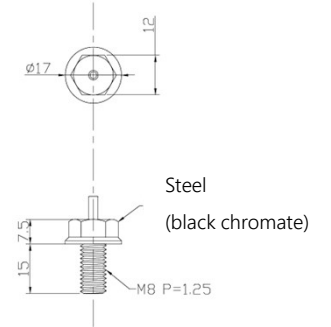
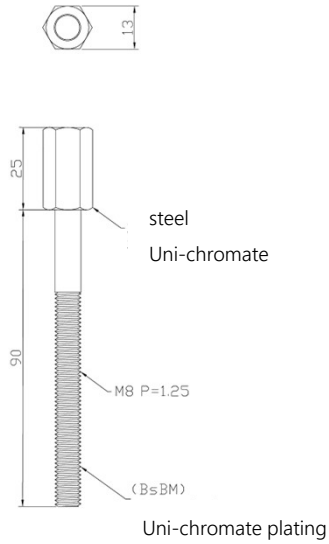
ULG-1560 (φ1.5)、ULG-1560S (φ1.2) WG-1509 (φ1.5)

grip



Steel (Uni-chrome plating)

ULG-1508B (φ1.5)、ULG-1508BS (φ1.2)		
finished	bolt	grip



Product Specifications (wire : φ1.5、φ1.2)

ball terminal wire on one side	thimble bracket in one side	spring loop in one side
--------------------------------	-----------------------------	-------------------------



Wire	φ1.5、φ1.2	φ1.5	φ1.2
Material	SUS304 (7×7)	SUS304 (7×7)	coating
Wire Length	L=1,500、1,000		

* Do not use any wire other than the special wire provided by our company.

* Standard wire grip dimensions are L=1,000 and 1,500. Please consult us for other dimensions.